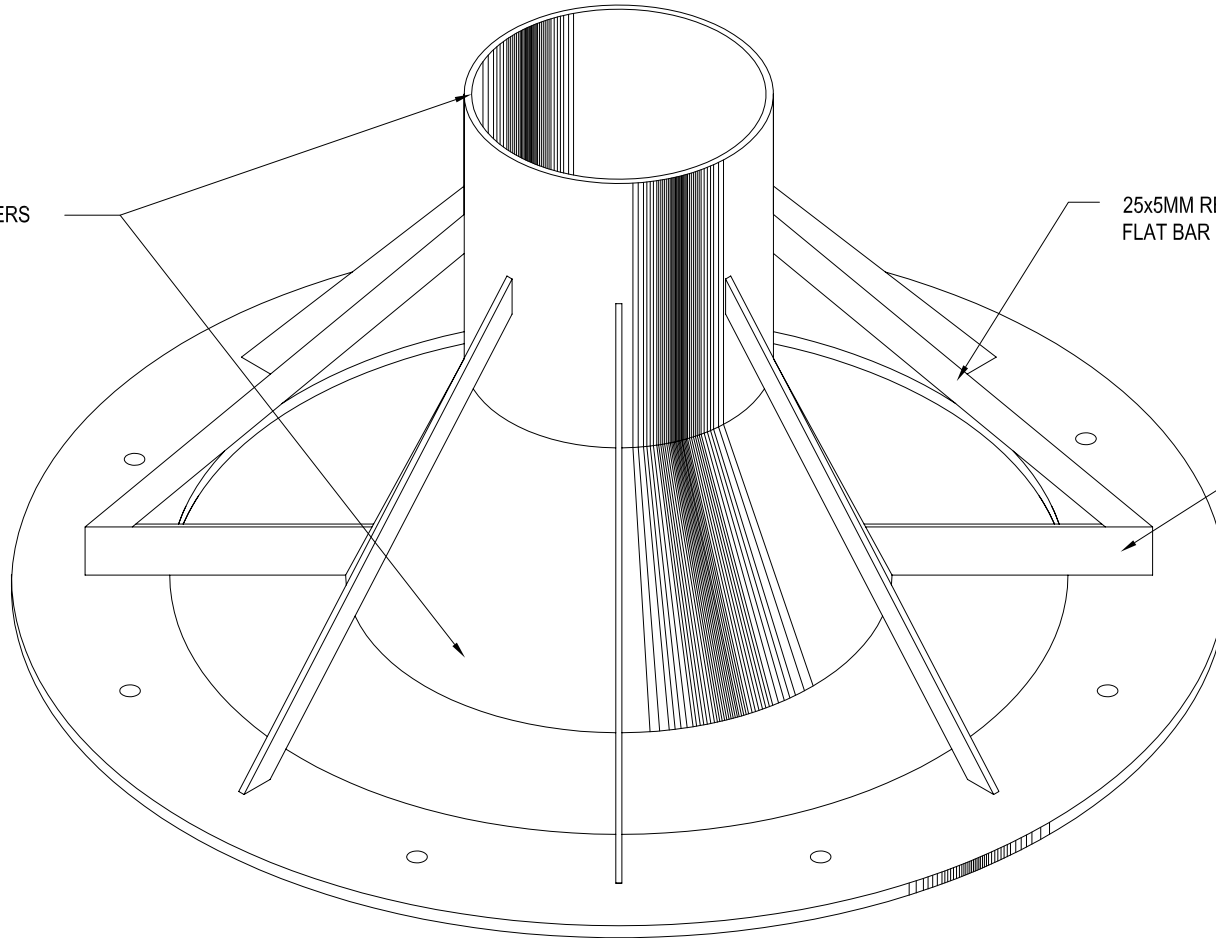


RAMTUBE DIAMETERS  
MADE TO SUIT



25x5MM REINFORCING  
FLAT BAR

40x5MM REINFORCING  
FLAT BAR



**DRAWN :** N. DOBSON

**DATE :** 22/05/2006

**CHECKED :** C. ANDREWS

**DATE :** 22/05/2006

**AQUA LIFT PACIFIC PTY LTD**

Tel: +61 2 9838 - 3172

Fax: +61 2 9838 - 3173

PO Box 162

Unit 2, 43 Hobart St

Riverstone NSW 2765 Australia

Email: david@aqualift.com.au

Email: sales@nextep.net.au

www.aqualift.com.au - www.nextep.net.au

**316 STAINLESS STEEL RAMTUBE**

**DRAWING No. AP\_06**

**A4**

**SHEET 1 OF 1**

**SCALE**  
NA

**ISSUE**  
1