

**PRODUCT APPLICATIONS**

- WATER & SEWERAGE INDUSTRIES
- FOOD PROCESSING PLANTS
- CHEMICAL PLANTS
- SALTWATER AREAS
- INDOOR & OUTDOOR FACILITIES

MODELS AVAILABLE - WSAA STANDARD WIDTH 375MM  
LENGTHS AS PER PROJECT REQUIREMENTS

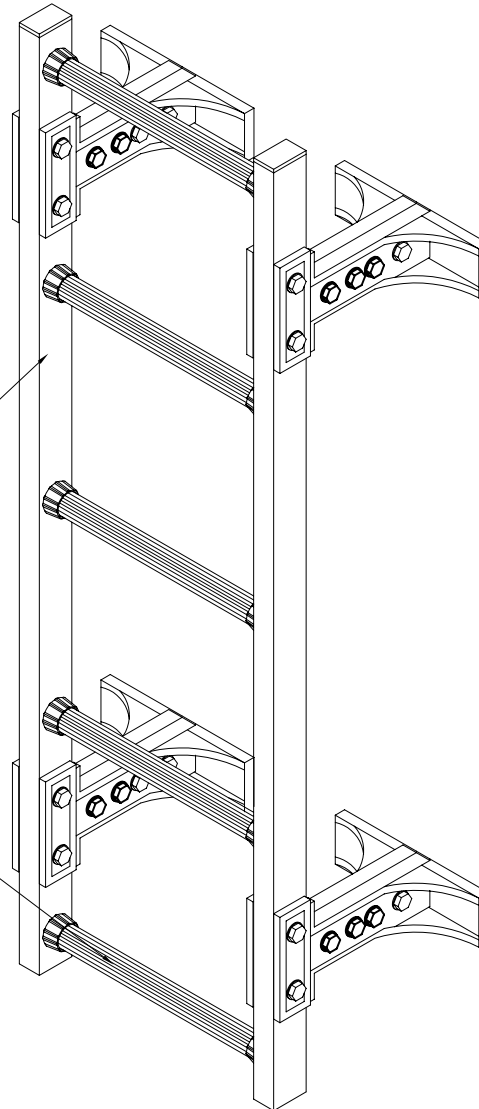
WSAA APPRAISAL No. 99/12

REQUIREMENTS FOR MATERIALS AND DESIGN WERE TAKEN FROM  
THE WSAA SEWERAGE CODE IN THE FIRST INSTANCE THEN WATER  
AGENCIES SPECIFICATIONS/DRAWINGS, AS4198:1994, AS1892.3

FRP STYLE PIPE - 52X32X5MM

NON-SLIP FRP RUNG

CORROSION-FREE POLYPROPYLENE



**DRAWN :** N. DOBSON

**DATE :** 7/06/2006

**CHECKED :** C. ANDREWS

**DATE :** 7/06/2006

**AQUA LIFT PACIFIC PTY LTD**

Tel: +61 2 9838 - 3172

Fax: +61 2 9838 - 3173

PO Box 162

Unit 2, 43 Hobart St

Riverstone NSW 2765 Australia

Email: david@aqualift.com.au

Email: sales@nextep.net.au

www.aqualift.com.au - www.nextep.net.au

**FRP LADDER  
TO SUIT FLAT WALL**

**DRAWING No. AP\_09**

**A4**

**SHEET 1 OF 1**

**SCALE**  
NA

**ISSUE**  
1