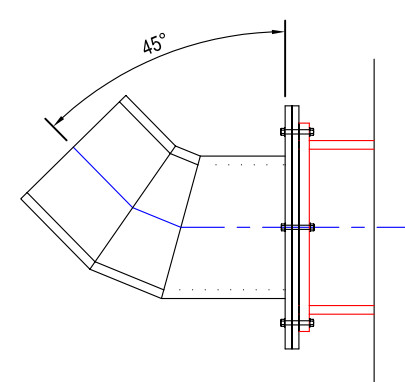


FLOOR MOUNTING



WALL MOUNTING



DRAWN : N. DOBSON
DATE : 18/05/2006
CHECKED : C. ANDREWS
DATE : 18/05/2006

AQUA LIFT PACIFIC PTY LTD PO Box 162
 Tel: +61 2 9838 - 3172 Unit 2, 43 Hobart St
 Fax: +61 2 9838 - 3173 Riverstone NSW 2765 Australia
 Email: david@aqualift.com.au
 Email: sales@nextep.net.au
 www.aqualift.com.au - www.nextep.net.au

HDPE DIRECTIONAL NOZZLE ARRANGEMENT WALL & FLOOR MOUNTED		DRAWING No. AP_05	
		A4	SHEET 1 OF 1
		SCALE NA	ISSUE 1