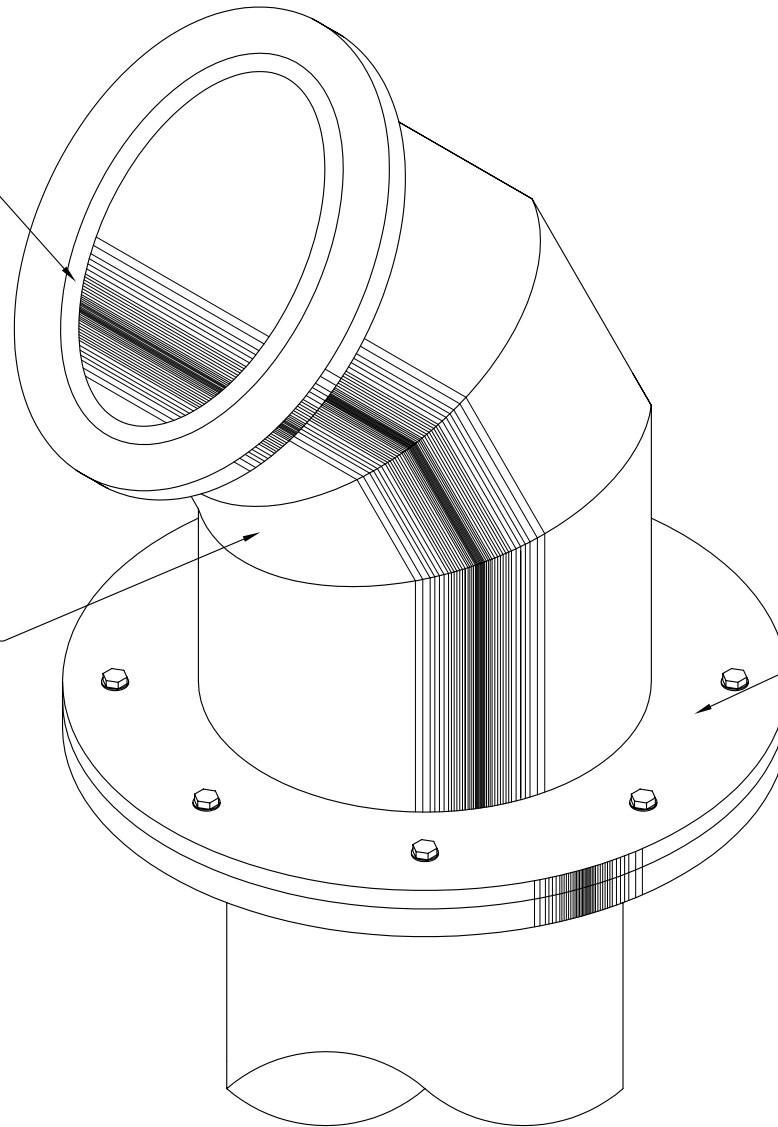


20MM HDPE MADE TO SUIT  
EXISTING PIPE DIAMETER

NOZZLE BEND AT  
30 OR 45 DEGREES

20MM THICK HDPE FLANGE BOLTED  
TO EXISTING PIPE FLANGE



DRAWN : N. DOBSON

DATE : 18/05/2006

CHECKED : C. ANDREWS

DATE : 18/05/2006

**AQUA LIFT PACIFIC PTY LTD**

Tel: +61 2 9838 - 3172

Fax: +61 2 9838 - 3173

PO Box 162

Unit 2, 43 Hobart St

Riverstone NSW 2765 Australia

Email: david@aqualift.com.au

Email: sales@nextep.net.au

www.aqualift.com.au - www.nextep.net.au

**HDPE DIRECTIONAL NOZZLE**

DRAWING No. **AP\_04**

**A4**

SHEET 1 OF 1

SCALE  
NA

ISSUE  
1